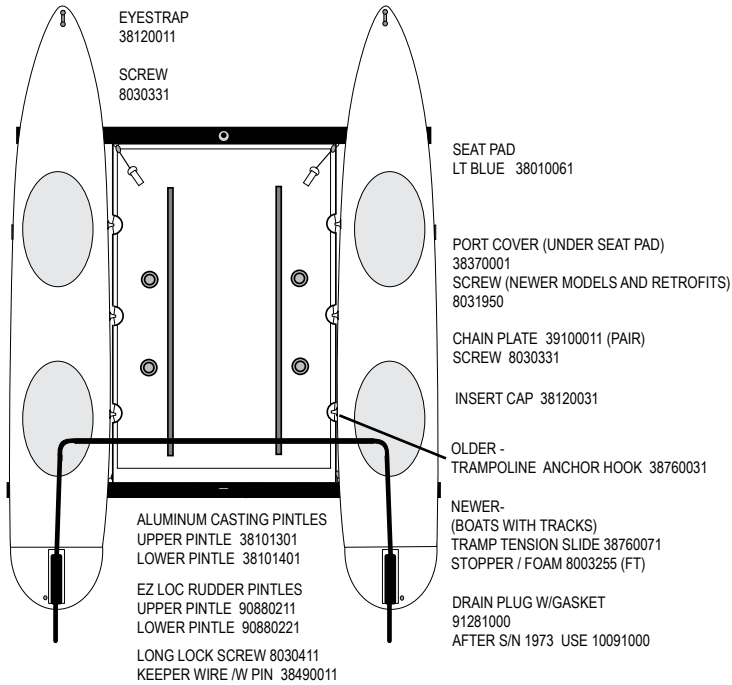


HOBIE WAVE

REPLACEMENT HULL - LEFT 39010001
 REPLACEMENT HULL - RIGHT 39020001

WAVE VERSION NOTES:
STANDARD WAVE / CLASSIC OR "SE" - (CAR TOPPABLE) ONE PIECE TRAMPOLINE, SHROUDS AND BRIDLES CONNECT WITH HOOKS
CLUB WAVE - THREE PIECE TRAMPOLINE. SHROUDS AND BRIDLES CONNECT WITH CLEVIS PINS
CLUB items listed only if different from standard SE wave model.

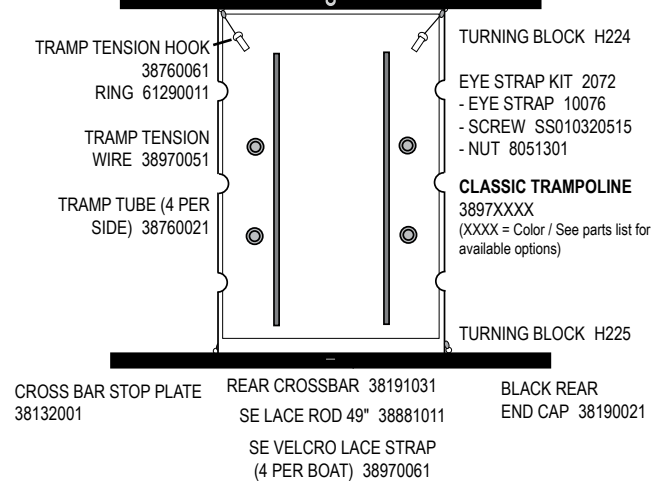
CLASSIC / SE WAVE



'97-NEWER (SN 1438-ABOVE)
FORWARD CROSSBAR 38131041

MAST STEP CASTING 38171001
POST (THREADED) 38170001
BALL 50212301
BASE STEP PIN 8020451

'96-OLDER
MAST STEP CASTING 10170011
MAST STEP LINK KIT 21380001
BLACK FORWARD END CAP 39130021

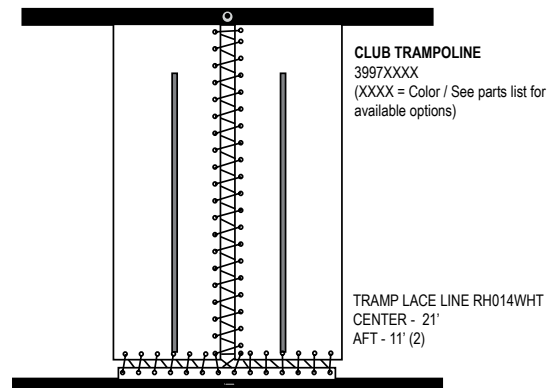
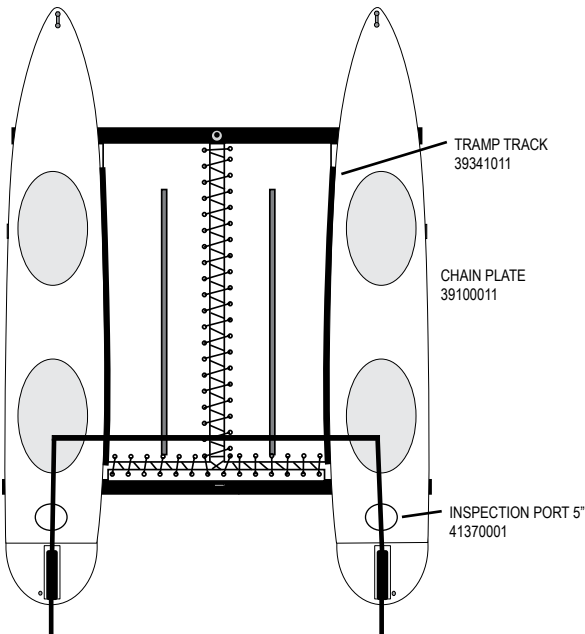


ACCESSORIES

- BOW SPREADER** 38999021
- END CAP** 38950011
- BOW SPREADER TANG** 38120041
- SEAT BACKREST KIT** 38040011
- BACKREST INSTALLATION QUICK PIN** 8020181
- BACKREST PLUG, FORWARD** 38660011
- BACKREST PLUG, AFT** 38660031
- MAIN TRAVELER KIT (CLUB)** 39250000

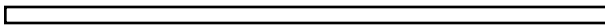
CLUB WAVE

(CLUB WAVE VERSION-ITEMS LISTED BELOW ONLY IF DIFFERENT FROM STANDARD WAVE MODEL.)



TILLER CROSS BARS

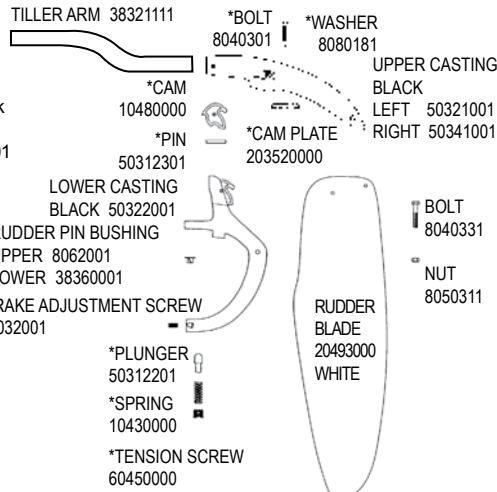
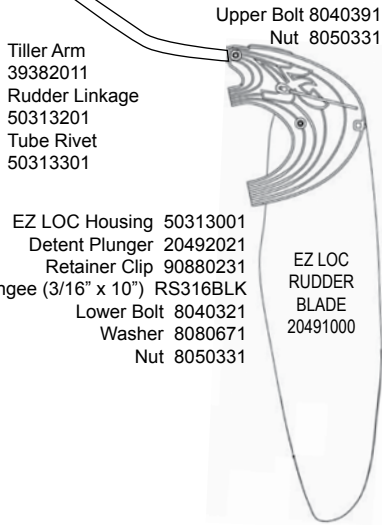
- 39521001 CLUB BOLT (62")
- 39522001 TENDON (62")
- 39524001 '07 EZ LOC (67")



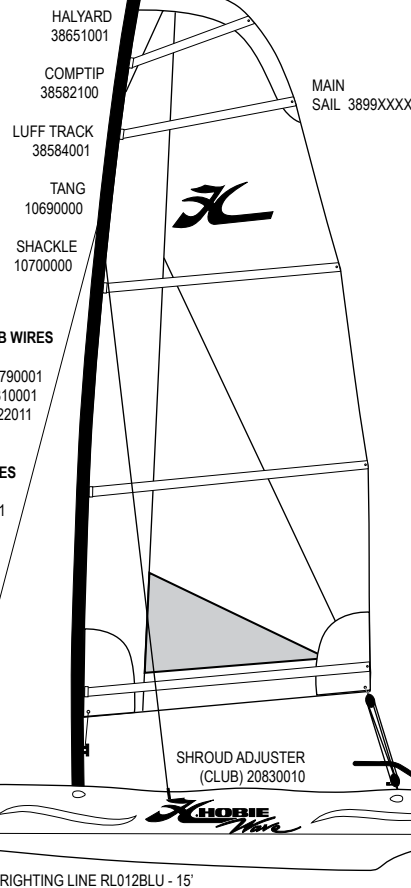
EZ LOC RUDDER ASSEMBLY
39312000

RUDDER ASSEMBLY
Pre-"EZ LOC" Rudder System

* = SUB ASSEMBLY PART / INCLUDED WITH CASTING



- FLOAT KIT 30115
- BRACKET (1) 39640020
- SCREW 8032011
- MAST HEAD 10602111



MAST

- SERIAL NUMBER 0 THROUGH 1437**
OLD ASSEMBLY NLA (SEE NEW STYLE BELOW) CONVERSION REQUIRES MAST STEP RETROFIT.
MAST BASE (HOBIE14 STYLE) 10640011
- SERIAL NUMBER 1438 AND NEWER**
MAST ASSEMBLY (NEW STYLE) 38581041
LOWER MAST 38583141
NEW MAST BASE (CUP) 38641001

MAST STEP PARTS

- (*Conversion parts required to retrofit new mast to old style boat):
*NEW STEP BALL 50212301
*NEW STEP POST 38170001
*NEW MAST STEP CASTING 38171001 (Flat top / threaded for post)
*RIVET (4) 8011231
*STEP PIN -8020451

WAVE CLUB WIRES

- SHROUD Club 39790001
- FORESTAY 39810001
- BRIDLE Club 39822011

WAVE SE WIRES

- SHROUD SE w/Hooks 38790001
- FORESTAY 39810001
- BRIDLE SE w/hooks 38822011

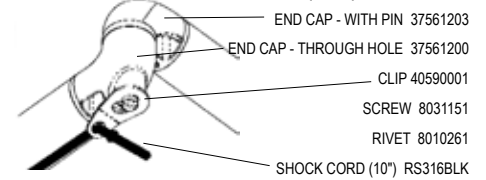
TILLER CONNECTOR KITS AND PARTS

1957 KIT - '07 TILLER CONNECTOR

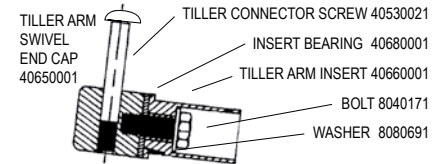
1956 KIT - CLUB TILLER CONNECTOR
(REPLACES TENDON STYLE WITH CLUB BOLT STYLE)

1954 KIT - CLUB TILLER CONNECTOR / UPGRADE FOR EARLY BOATS
WITH ORIGINAL CURVED TENDON CONNECTORS:
INCLUDES TILLER CROSS BAR AND ALL TILLER CONNECTOR FITTINGS

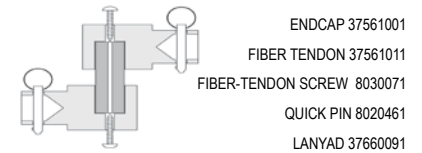
'07 TILLER CONNECTOR (1957)



CLUB TILLER CONNECTOR (1954 / 1956)



TENDON TILLER CONNECTOR



- BATTEN #5 36"
- BATTEN #4 50"
- BATTEN #3 66 7/8"
- BATTEN #2 77 7/8"
- BATTEN #1 82 3/8"

38016001 HOBIE WAVE BATTEN SET

(FOR INDIVIDUAL BATTENS SEE UNIVERSAL BATTENS ON PAGE 14)

Wave Rivet Guide () Quantity needed to fasten part

Mast	Rudder Assembly	Sail
Head 8010131 (2)	Upper Casting 8010131 (2)	Headboard 8010020 (16)
Halyard Hook 8010181 (2)	(Underside) 8011231 (1)	Tack/Clew plate 8010020 (6)
8011291 (2)	Tiller End Cap 8010131 (2)	Pocket Protector 8010020 (4)
Tang 8010181 (6)		(Requires setting machine-not available as hand tool)
8011291 (6)		
Halyard Cleat 8010121 (2)		
Base 8010131 (3)		
Rear Crossbar		
Pad Eye 8010181 (2)		
Front Crossbar		
Mast Step 8011231 (4)		

- "S" HOOK 38900031
- SHACKLE 11220000

- UPPER BLOCK 38900061

RM516BLU X 35'

- LOWER BLOCK 38900071